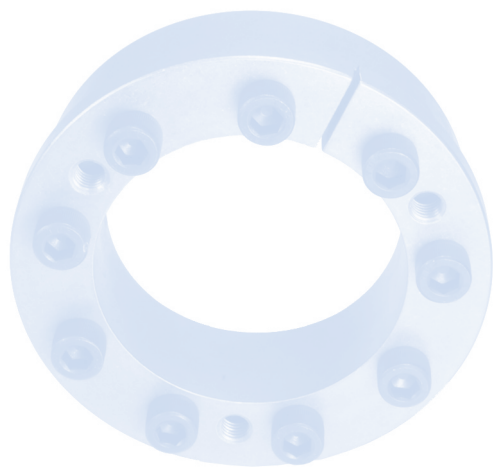


MEDWAY®

Locking Elements

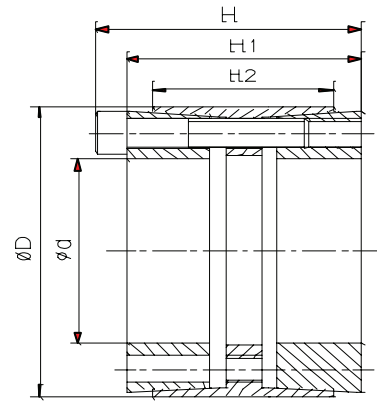


MEDWAY POWER TRANSMISSION LTD

M.P.T. HOUSE BRUNSWICK ROAD COBBS WOOD INDUSTRIAL ESTATE ASHFORD KENT TN23 1EL U.K.

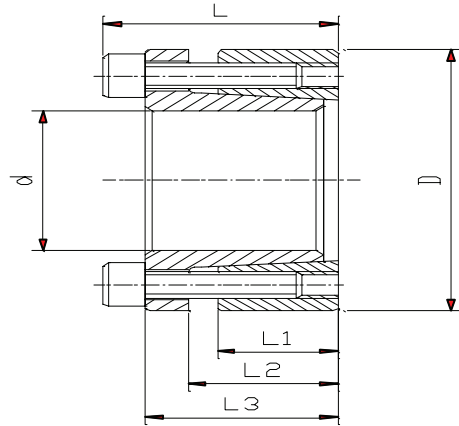
☎ +44 (0) 1233 663340 📠 +44 (0) 1233 664440 ✉ sales@medwaypt.co.uk 🌐 www.medwaypt.co.uk

SIZE:HKC-11
the size to fix(recommend):
shaft: h8
hub: H8



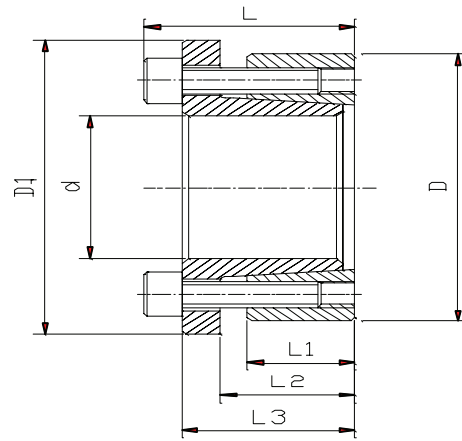
dimensions					transmission		contact pressure		locking screws Din912-12.9		
					axial force	torque	shaft	hub	qty	size	tightening torque
d	D	H	H1	H2	Ft	Mt	P	P1			Ts
mm	mm	mm	mm	mm	KN	Nm	N/mm2	N/mm2	Nm		
25	55	46	40	32	59	743	292	100	6	m6x35	17
28	55	46	40	32	59	832	261	100	6	m6x35	17
30	55	46	40	32	59	891	243	100	6	m6x35	17
35	60	60	54	44	69	1211	172	77	7	m6X45	17
38	75	62	54	44	125	2372	285	112	7	m8x50	41
40	75	62	54	44	125	2497	271	112	7	m8x50	41
42	75	62	54	44	125	2622	258	112	7	m8x50	41
45	75	62	54	44	125	2809	241	112	7	m8x50	41
48	80	62	64	56	143	3427	199	94	8	m8x55	41
50	80	72	64	56	143	3569	191	94	8	m8x55	41
55	85	72	64	56	161	4416	196	99	9	m8x55	41
60	90	72	64	56	178	5352	199	104	10	m8x55	41
65	95	72	64	56	178	5799	184	99	10	m8x55	41
70	110	88	78	70	289	10123	218	111	10	m10x60	83
75	115	88	78	70	289	10846	203	106	10	m10x60	83
80	120	88	78	70	318	12727	209	112	11	m10x60	83
85	125	88	78	70	347	14752	215	117	12	m10x60	83
90	130	88	78	70	347	15620	203	112	12	m10x60	83
95	135	88	78	70	347	16488	192	108	12	m10x60	83
100	145	112	100	90	463	23150	195	105	11	m12x80	145
110	155	112	100	90	505	27781	193	107	12	m12x80	145
120	165	112	100	90	589	35361	207	117	14	m12x80	145
130	180	130	116	104	687	44633	185	108	12	m14x90	230
140	190	130	116	104	801	56073	201	120	14	m14x90	230
150	200	130	116	104	858	64371	201	122	15	m14x90	230
160	210	130	116	104	916	73241	201	124	16	m14x90	230
170	225	164	148	134	1098	93306	190	107	14	m16x110	360
180	235	164	148	134	1176	105851	193	110	15	m16x110	360
190	250	164	148	134	1255	119180	195	110	16	m16x110	360
200	260	164	148	134	1255	125453	185	106	16	m16x110	360
220	285	164	148	134	1411	155248	189	109	18	m16x110	360

SIZE:HKC-13
 the size to fix(recommend):
 shaft: h8
 hub: H8



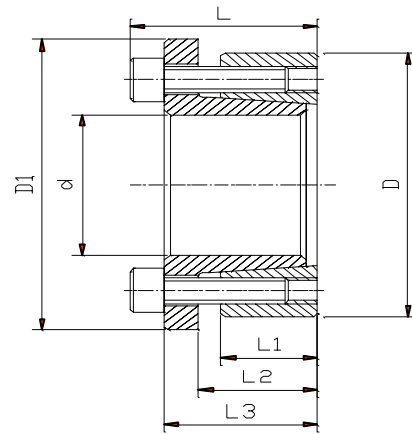
dimensions							transmission		contact pressure		locking screws Din912-12.9		
							axial force	torque	shaft	hub	qty	size	tightening torque
d	D	L1	L2	L3	L4	L	Ft	Mt	P	P1			Ts
mm	mm	mm	mm	mm	mm	mm	KN	Nm	N/mm2	N/mm2	Nm		
19	47	17	22	28	25	34	29	273	262	106	5	M6x20	13
20	47	17	22	28	25	34	29	287	249	106	5	M6x20	13
22	47	17	22	28	25	34	29	316	227	106	5	M6x20	13
24	50	17	22	28	25	34	34	413	249	120	6	M6x20	13
25	50	17	22	28	25	34	34	431	239	120	6	M6x20	13
28	55	17	22	28	25	34	34	482	213	109	6	M6x20	13
30	55	17	22	28	25	34	34	517	199	109	6	M6x20	13
32	60	17	22	28	25	34	46	734	249	133	8	M6x20	13
35	60	17	22	28	25	34	46	803	227	133	8	M6x20	13
38	65	17	22	28	25	34	46	872	210	122	8	M6x20	13
40	65	17	22	28	25	34	46	918	199	122	8	M6x20	13
42	75	20	25	33	30	41	74	1563	261	146	7	M8x25	32
45	75	20	25	33	30	41	74	1674	244	146	7	M8x25	32
50	80	20	25	33	30	41	74	1860	219	137	7	M8x25	32
55	85	20	25	33	30	41	85	2340	228	148	8	M8x25	32
60	90	20	25	33	30	41	85	2553	209	139	8	M8x25	32
65	95	20	25	33	30	41	96	3110	217	149	9	M8x25	32
70	110	24	30	40	37	50	138	4838	243	154	8	M10x30	65
75	115	24	30	40	37	50	138	5184	226	148	8	M10x30	65
80	120	24	30	40	37	50	138	5530	212	142	8	M10x30	65
85	125	24	30	40	37	50	156	6610	225	153	9	M10x30	65
90	130	24	30	40	37	50	156	6998	212	147	9	M10x30	65
95	135	24	30	40	37	50	173	8208	223	157	10	M10x30	65
100	145	26	32	44	41	56	195	9742	221	152	8	M12x35	110
110	155	26	32	44	41	56	195	10716	201	143	8	M12x35	110
120	165	26	32	44	41	56	219	13154	207	151	9	M12x35	110
130	180	34	40	52	49	64	292	18996	195	141	12	M12x35	110
140	190	34	40	54	51	68	291	20336	180	133	9	M14x40	170
150	200	34	40	54	51	68	323	24211	187	140	10	M14x40	170
160	210	34	40	54	51	68	355	28408	192	147	11	M14x40	170
170	225	44	50	64	61	78	387	32929	153	115	12	M14x40	170
180	235	44	50	64	61	78	387	34866	144	110	12	M14x40	170

SIZE: HKC-15
 the dimension to fix(recommend):
 shaft: h8
 hub: H8



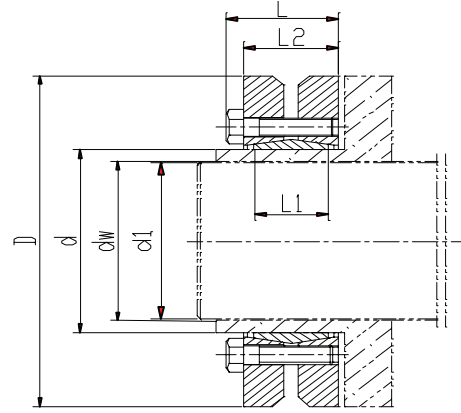
dimensions							transmission		contact pressure		locking screws Din12-12.9		
							axial force	torque	shaft	hub	qty	size	tightening torque
d	D	D1	L1	L2	L3	L	Ft	Mt	P	P1			Ts
mm	mm	mm	mm	mm	mm	mm	KN	Nm	N/mm2	N/mm2	Nm		
14	55	62	17	22	31	39	31	216	383	97	4	m8x25	37
16	55	62	17	22	31	39	31	247	335	97	4	m8x25	37
18	55	62	17	22	31	39	34	308	330	108	4	m8x25	41
19	55	62	17	22	31	39	34	325	313	108	4	m8x25	41
20	55	62	17	22	31	39	34	342	297	108	4	m8x25	41
22	55	62	17	22	31	39	34	377	270	108	4	m8x25	41
24	55	62	17	22	31	39	34	411	247	108	4	m8x25	41
25	55	62	17	22	31	39	34	428	238	108	4	m8x25	41
28	55	62	17	22	31	39	34	479	212	108	4	m8x25	41
30	55	62	17	22	31	39	34	514	198	108	4	m8x25	41
24	65	72	17	22	31	39	43	513	309	114	5	m8x25	41
25	65	72	17	22	31	39	43	535	297	114	5	m8x25	41
28	65	72	17	22	31	39	43	599	265	114	5	m8x25	41
30	65	72	17	22	31	39	43	642	247	114	5	m8x25	41
32	65	72	17	22	31	39	43	684	232	114	5	m8x25	41
35	65	72	17	22	31	39	43	748	212	114	5	m8x25	41
38	65	72	17	22	31	39	43	813	195	114	5	m8x25	41
40	65	72	17	22	31	39	43	855	185	114	5	m8x25	41
30	80	87	20	25	33	41	60	899	295	110	7	m8x25	41
32	80	87	20	25	33	41	60	959	276	110	7	m8x25	41
35	80	87	20	25	33	41	60	1049	253	110	7	m8x25	41
38	80	87	20	25	33	41	60	1139	233	110	7	m8x25	41
40	80	87	20	25	33	41	60	1199	221	108	7	m8x25	41
42	80	87	20	25	33	41	60	1259	210	110	7	m8x25	41
45	80	87	20	25	33	41	60	1349	196	110	7	m8x25	41
48	80	87	20	25	33	41	60	1439	184	110	7	m8x25	41
50	80	87	20	25	33	41	60	1499	177	110	7	m8x25	41

SIZE: HKC-16
 the size to fix(recommend):
 shaft: h8
 hub: H8



dimensions							transmission		contact pressure		locking screws Din912-12.9		
							axial force	torque	shaft	hub	qty	size	tightening torque
d	D	D1	L1	L2	L3	L	Ft	Mt	P	P1			Ts
mm	mm	mm	mm	mm	mm	mm	KN	Nm	N/mm2	N/mm2	Nm		
19	47	56	17	22	28	34	24	226	217	88	5	m6x20	17
20	47	56	17	22	28	34	24	238	206	88	5	m6x20	17
22	47	56	17	22	28	34	24	261	187	88	5	m6x20	17
24	50	59	17	22	28	34	29	342	206	99	6	m6x20	17
25	50	59	17	22	28	34	29	356	198	99	6	m6x20	17
28	55	64	17	22	28	34	29	399	177	90	6	m6x20	17
30	55	64	17	22	28	34	29	428	165	90	6	m6x20	17
32	60	69	17	22	28	34	38	608	206	110	8	m6x20	17
35	60	69	17	22	28	34	38	665	188	110	8	m6x20	17
38	65	74	17	22	28	34	38	722	174	101	8	m6x20	17
40	65	74	17	22	28	34	38	760	165	101	8	m6x20	17
42	75	84	20	25	33	41	60	1259	210	118	7	m8x25	41
45	75	84	20	25	33	41	60	1349	196	118	7	m8x25	41
50	80	84	20	25	33	41	60	1499	177	110	7	m8x25	41
55	85	94	20	25	33	41	68	1883	184	119	8	m8x25	41
60	90	99	20	25	33	41	68	2054	168	112	8	m8x25	41
65	95	104	20	25	33	41	77	2503	175	120	9	m8x25	41
70	110	119	24	30	40	50	111	3886	195	124	8	m10x30	83
75	115	124	24	30	40	50	111	4163	182	119	8	m10x30	83
80	120	129	24	30	40	50	111	4441	171	114	8	m10x30	83
85	125	134	24	30	40	50	125	5306	180	123	9	m10x30	83
90	130	139	24	30	40	50	125	5618	170	118	9	m10x30	83
95	135	144	24	30	40	50	139	6587	179	126	10	m10x30	83
100	145	154	26	32	44	56	162	8078	183	126	8	m12x35	145
110	155	164	26	32	44	56	162	8886	167	118	8	m12x35	145
120	165	174	26	32	44	56	182	10899	172	125	9	m12x35	145
130	180	189	34	40	52	64	242	15746	162	117	12	m12x35	145
140	190	199	34	40	54	68	247	17290	153	113	9	m14x40	230
150	200	209	34	40	54	68	274	20582	159	119	10	m14x40	230
160	210	219	34	40	54	68	302	24149	164	125	11	m14x40	230
170	225	234	44	50	64	78	329	27990	130	98	12	m14x40	230
180	235	244	44	50	64	78	329	29636	123	94	12	m14x40	230

SIZE:HKC-19
 the size to
 fix(recommend):
 shaft: h8



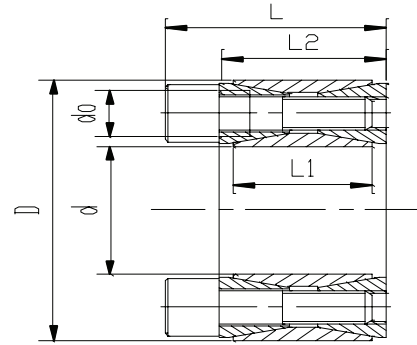
dimensions							transmission		contact pressure	locking screws Din931-10.9		
							axial force	torque	shaft	qty	size	tightening
d	D	dw	L1	L2	L	dw-d	Ft	Mt	P			Ts
mm	mm	mm	mm	mm	mm	mm	KN	Nm	N/mm2			Nm
24	50	19	14	19.5	23.0	0.017	15.0	162	272	6	M5x18	4.9
		20					18.5	200				
		21					21.0	238				
30	60	24	16	21.5	25.0	0.017	15.7	285	221	7	M5x18	4.9
		25					23.7	323				
		26					26.7	361				
36	72	28	18	23.5	27.5	0.032	27.0	418	292	5	M6x20	11.8
		30					38.0	542				
		31					43.0	599				
44	80	32	20	25.5	29.5	0.032	44.0	589	301	7	M6x20	11.8
		35					49.0	741				
		36					54.0	817				
50	90	38	22	27.5	31.5	0.032	48.8	893	275	8	M6x25	11.8
		40					58.8	1102				
		42					69.0	1311				
55	100	42	23	30.5	34.5	0.032	48.0	1102	239	8	M6x25	11.8
		45					61.7	1444				
		48					77.0	1786				
62	110	48	23	30.5	34.5	0.048	69.0	1758	265	10	M6x25	11.8
		50					80.9	2090				
		52					90.0	2280				
68	115	50	23	30.5	34.5	0.048	71.2	1900	242	10	M6x25	11.8
		55					80.9	2375				
		60					95.7	2993				
75	138	55	25	32.5	37.8	0.048	94.4	2375	259	7	M8x30	29.4
		60					111.0	3040				
		65					126.0	3753				
80	145	60	25	32.5	37.8	0.048	99.3	3040	243	7	M8x30	29.4
		65					115.0	3705				
		70					130.0	4370				
90	155	65	30	39.0	44.3	0.048	141.0	4513	257	10	M8x35	29.4
		70					160.0	5700				
		75					178.0	6888				
100	170	70	34	44.0	49.3	0.048	163.0	6555	245	12	M8x35	29.4
		75					182.0	7125				
		80					202.0	8550				
110	185	75	39	50.0	56.4	0.048	185.0	6840	232	9	M10x40	57.8
		80					207.0	8550				
		85					221.0	10260				
125	215	85	42	54.0	60.4	0.069	240.0	10450	253	12	M10x40	57.8
		90					262.0	12350				
		95					285.0	14250				
140	230	95	46	60.5	68.0	0.069	308.0	14345	251	10	M12x45	98
		100					331.0	16720				
		105					357.0	19095				
155	265	105	50	64.5	72.0	0.069	366.0	20900	250	12	M12x50	98
		110					392.0	23750				
		115					417.0	26600				
165	290	115	56	71.0	81.0	0.069	513.0	29450	263	8	M16x55	245
		120					544.0	33250				
		125					564.0	37050				
175	300	125	56	71.0	81.0	0.079	576.0	34200	248	8	M16x55	250
		130					630.0	38950				
		135					666.0	45000				

SIZE:HKC-40

the size to fix (recommend):

shaft: h8

hub: H8



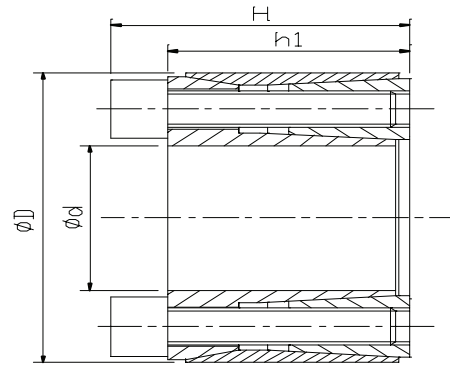
dimensions					transmission		contact pressure		locking screws Din912-12.9		
					axial force	torque	shaft	hub	qty	size	tightening
Φd	ΦD	L1	L2	L	Ft	Mt	P	P1			Ts
mm	mm	mm	mm	mm	KN	Nm	N/mm2	N/mm2			Nm
19	47	17	20	26	26.8	260	220	93	8	m6x18	14.9
20	47	17	20	26	26.8	268	210	93	8	m6x18	14.9
22	47	17	20	26	26.8	283	207	96	8	m6x18	14.9
24	50	17	20	26	30.1	361	206	103	9	m6x18	14.9
25	50	17	20	26	30.1	376	206	103	9	m6x18	14.9
28	55	17	20	26	33.5	420	204	103	10	m6x18	14.9
30	55	17	20	26	33.5	450	190	103	10	m6x18	14.9
32	60	17	20	26	40.2	643	214	114	12	m6x18	14.9
35	60	17	20	26	40.2	703	196	114	12	m6x18	14.9
38	65	17	20	26	46.9	891	204	122	14	m6x18	14.9
40	65	17	20	26	46.9	938	200	122	14	m6x18	14.9
42	75	20	24	32	73.2	1537	228	125	12	m8x22	35.0
45	75	20	24	32	73.2	1647	208	125	12	m8x22	35.0
48	80	20	24	32	73.2	1756	190	110	12	m8x22	35.0
50	80	20	24	32	73.2	1830	189	115	12	m8x22	35.0
55	85	20	24	32	85.4	2348	200	130	14	m8x22	35.0
60	90	20	24	32	85.4	2560	180	122	14	m8x22	35.0
65	95	20	24	32	97.6	3170	191	130	16	m8x22	35.0
70	110	24	28	38	134.4	4700	211	132	14	m10x25	69.0
75	115	24	28	38	134.4	5000	194	128	14	m10x25	69.0
80	120	24	28	38	134.4	5300	182	124	14	m10x25	69.0
85	125	24	28	38	153.6	6500	196	133	16	m10x25	69.0
90	130	24	28	38	153.6	6900	181	128	16	m10x25	69.0
95	135	24	28	38	172.8	8200	196	139	18	m10x25	69.0
100	145	26	33	45	197.4	9870	198	139	14	m12x30	123.3
110	155	26	33	45	187.4	10800	181	128	14	m12x31	123.3
120	165	26	33	45	225.6	13500	187	139	16	m12x32	123.3
130	180	34	38	50	282.0	18300	168	119	20	m12x35	123.3
140	190	34	38	50	310.1	21700	168	128	22	m12x35	123.3
150	200	34	38	50	338.4	25300	170	128	24	m12x35	123.3
160	210	34	38	50	366.6	29300	171	132	26	m12x35	123.3
170	225	38	44	58	389.0	33000	162	123	22	m14x40	187.0
180	235	38	44	58	424.0	38000	168	128	24	m14x40	187.0
190	250	46	52	66	495.0	47000	154	114	28	m14x45	187.0
200	260	46	52	66	531.0	53000	157	118	30	m14x45	187.0
220	285	50	56	72	631.0	69400	152	117	26	m16X50	187.0
240	305	50	56	72	860.0	103162	211	166	30	m16X50	290.0
260	325	50	56	72	974.0	126669	221	177	34	m16X50	290.0
280	355	60	66	84	1124.0	157339	197	156	32	m18X60	400.0
300	375	60	66	84	1264.0	189653	207	166	36	m18X60	400.0
320	405	72	78	98	1651.0	264108	211	167	36	m20x70	580.0

SIZE:HKC-45

the size to fix(recommend):

shaft: h8

hub: H8



dimensions				transmission		contact pressure		locking screws Din912-12.9		
				axial force	torque	shaft	hub	qty	size	tightening
d	D	H	h1	Ft	Mt	P	P1			Ts
mm	mm	mm	mm	KN	Nm	N/mm2	N/mm2	Nm		
16	32	24	18.0	9	72	83	41	4	m4x16	5
16	40	24	18.0	23	210	83	74	4	m6X16	17
19	41	24	18.0	23	222	155	72	4	m6X16	17
20	42	24	18.0	23	233	147	70	4	m6X16	17
22	44	24	18.0	23	257	134	67	4	m6X16	17
24	46	24	18.0	35	420	184	96	6	m6X16	17
25	47	24	18.0	35	438	177	94	6	m6X16	17
28	50	24	18.0	35	490	158	88	6	m6X16	17
30	52	24	18.0	35	525	147	85	6	m6X16	17
32	54	24	18.0	35	560	138	82	6	m6X16	17
35	57	28	21.5	26	459	79	49	6	m6X18	17
36	58	28	21.5	35	630	103	64	8	m6X18	17
38	60	28	21.5	35	665	97	62	8	m6X18	17
40	62	28	21.5	35	700	93	60	8	m6X18	17
42	70	36	28.0	82	1730	159	96	8	m8X25	40
45	73	36	28.0	82	1853	149	92	8	m8X25	40
48	76	36	28.0	82	1977	139	88	8	m8X25	40
50	78	36	28.0	82	2059	134	86	8	m8X25	40
55	83	36	28.0	94	2589	139	92	8	m8X25	40
60	88	36	28.0	94	2824	127	87	8	m8X25	40
65	93	45	35.0	94	3060	94	66	8	m8X25	40
70	105	45	35.0	133	4671	124	83	8	m10X30	81
75	110	45	35.0	133	5004	116	79	8	m10X30	81
80	115	45	35.0	150	6005	122	85	8	m10X30	81
85	120	45	35.0	167	7089	127	90	10	m10X30	81
90	125	45	35.0	167	7506	120	87	10	m10X30	81
100	138	45	35.0	167	8340	108	79	10	m10X30	81

SIZE:HKC-50

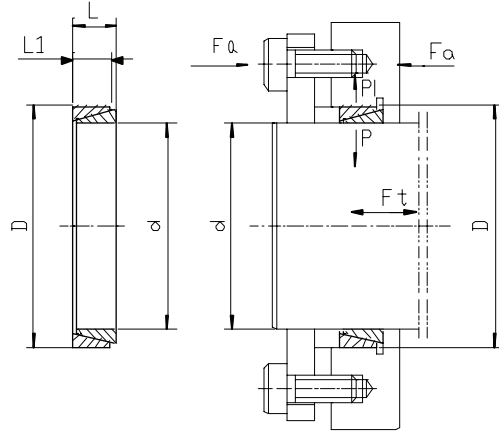
the size to fix(recommend):

Nominal dimension up to 38mm:

shaft: h6 hub: H7

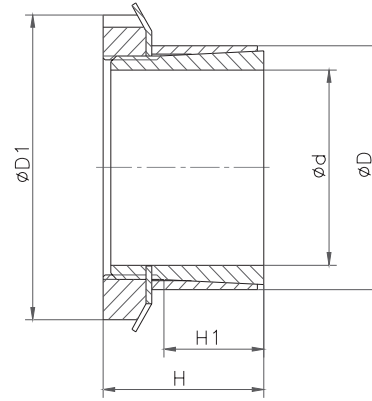
Nominal dimension greater than 40mm:

shaft: h8 hub: H8



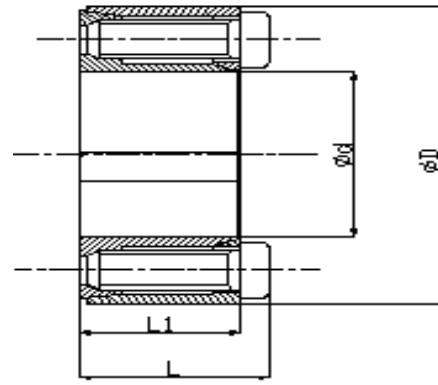
dimensions				transmission		contact pressure		
				axial force	torque	torque	shaft	hub
Φd	ΦD	L	L1	Ft	Mt	Mt	P	P1
mm	mm	mm	mm	KN	Nm	Nm	N/mm2	N/mm2
8	11	4.5	3.7	9.1	1.09	4.3	98	73
10	13	4.5	3.7	12.1	1.37	6.9	98	75
12	15	4.5	3.7	12.4	1.64	9.8	98	78
13	16	4.5	3.7	12.7	1.80	12.0	98	79
14	18	6.3	5.3	20.4	2.74	19.2	98	76
15	19	6.3	5.3	23.5	2.94	22.1	98	77
16	20	6.3	5.3	23.9	3.14	25.1	98	78
17	21	6.3	5.3	24.2	3.33	28.3	98	79
18	22	6.3	5.3	24.8	3.53	31.8	98	80
19	24	6.3	5.3	29.1	3.72	35.3	98	77
20	25	6.3	5.3	29.5	3.92	39.2	98	78
22	26	6.3	5.3	28.3	4.31	47.0	98	83
24	28	6.3	5.3	29.4	4.70	56.8	98	84
25	30	6.3	5.3	31.8	4.90	60.8	98	81
28	32	6.3	5.3	31.9	5.49	76.4	98	86
30	35	6.3	5.3	34.8	5.88	88.2	98	84
32	36	6.3	5.3	35.9	6.27	100	98	87
35	40	7.0	6.0	44.8	7.74	136	98	86
36	42	7.0	6.0	47.3	7.94	144	98	84
38	44	7.0	6.0	48.8	8.43	160	98	84
40	45	8.0	6.6	57.6	9.75	195	98	87
42	48	8.0	6.6	61.4	10.30	216	98	86
45	52	10.0	8.6	90.3	14.30	321	98	85
48	55	10.0	8.6	92.7	15.30	367	98	85
50	57	10.0	8.6	94.7	15.90	397	98	86
55	62	10.0	8.6	99.7	17.40	480	98	87
56	64	12.0	10.4	125.6	21.60	603	98	86
60	68	12.0	10.4	130.9	23.00	692	98	86
63	71	12.0	10.4	134.6	24.20	764	98	87
65	73	12.0	10.4	134.9	25.00	813	98	87
70	79	14.0	12.2	172.4	31.60	1110	98	87
71	80	14.0	12.2	174.0	32.00	1140	98	87
75	84	14.0	12.2	185.7	33.80	1260	98	87
80	91	17.0	15.0	247.1	44.10	1770	98	86
90	101	17.0	15.0	266.2	50.00	2240	98	87
100	114	21.0	18.7	370.8	69.60	3450	98	86
110	124	21.0	18.7	406.1	76.40	4170	98	87
120	134	21.0	18.7	432.0	83.30	4950	98	88
130	148	28.0	25.3	640.8	122.00	7840	98	86
140	158	28.0	25.3	676.5	131.00	9110	98	87
150	168	28.0	25.3	713.0	140.00	10500	98	87

SIZE : HKC-55
 the size to fix(recommend):
 shaft:h8
 hub:H8



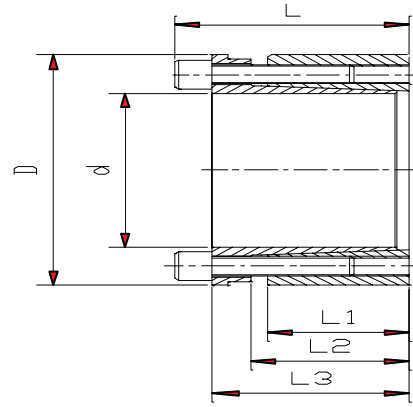
dimensions					transimission		contact pressure		locking screws Din912-12.9		
					axial force	torque	shaft	hub	qty	size	tightening
d	D	D1	H	h1	Ft	Mt	P	P1			
mm	mm	mm	mm	mm	KN	Nm	N/mm2	N/mm2			
15	25	32	31	20	9	77	91	55	1	m20x1	95
18	30	38	33	21	13	125	98	59	1	m25x1.5	160
19	30	38	33	21	13	132	93	59	1	m25x1.5	160
20	30	38	33	21	13	139	88	59	1	m25x1.5	160
24	35	45	38	25	15	202	74	51	1	m30x1.5	220
25	35	45	38	25	15	210	71	51	1	m30x1.5	220
28	40	52	44	28	20	312	76	53	1	m35x1.5	340
30	40	52	44	28	20	335	71	53	1	m35x1.5	340
35	45	58	45	28	25	483	75	58	1	m40x1.5	480
40	50	65	46	28	31	696	82	66	1	m45x1.5	680
45	55	70	47	28	36	902	84	69	1	m50x1.5	870
50	60	75	47	28	37	1014	77	64	1	m55x2	970
55	65	80	48	28	38	1158	73	61	1	m60x2	1100
60	70	85	50	28	41	1379	73	62	1	m65x2	1300

SIZE:HKC-61
the size to fix(recommend):
shaft: h8
Hub:H8



dimensions				transmission		contact pressure		locking screws Din912-12.9		
				axial force		torque	shaft	hub	qty	size
Φd	ΦD	L1	L	Ft	Mt	P	P1	Ts		
mm	mm	mm	mm	KN	Nm	N/mm2	N/mm2		Nm	
10	20	13	15.5	3.8	19	89	45	4	m2.5X12	1.2
11	22	13	15.5	3.8	21	81	41	4	m2.5X12	1.2
12	22	13	15.5	3.8	23	75	41	4	m2.5X12	1.2
14	26	17	20	5.5	39	71	38	4	m3x16	2.1
15	28	17	20	5.5	42	66	35	4	m3x16	2.1
16	32	17	21	9.6	77	107	54	4	m4x16	4.9
17	35	21	25	9.6	82	81	40	4	m4x20	4.9
18	35	21	25	9.6	87	77	40	4	m4x20	4.9
19	35	21	25	24.8	91	73	40	4	m4x20	4.9
20	38	21	26	15.7	157	113	60	4	m5x20	10.0
22	40	21	26	15.7	173	103	57	4	m5x20	10.0
24	47	26	32	22.3	268	110	56	4	m6x24	17.0
25	47	26	32	22.3	279	105	56	4	m6x24	17.0
28	50	26	32	33.5	468	141	79	6	m6x24	17.0
30	55	26	32	33.5	502	132	72	6	m6x24	17.0
32	55	26	32	33.5	535	123	72	6	m6x24	17.0
35	60	31	37	44.6	781	125	73	8	m6x28	17.0
38	65	31	37	44.6	848	115	67	8	m6x28	17.0
40	65	31	37	44.6	892	110	67	8	m6x28	17.0
42	75	36	44	60.6	1272	122	68	6	m8x34	41.0
45	75	36	44	60.6	1363	113	68	6	m8x34	41.0
48	80	36	44	80.8	1938	142	85	8	m8x34	41.0
50	80	36	44	80.8	2019	136	85	8	m8x34	41.0

SIZE:HKC-70
the size to fix
(recommend):
shaft: h8
hub: H8



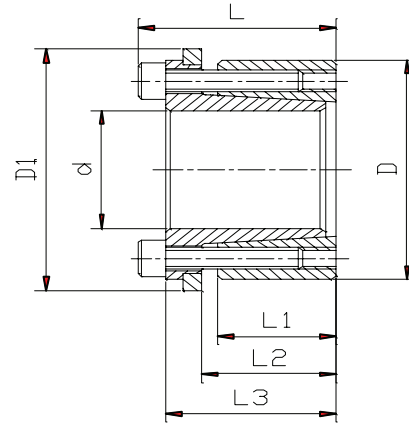
dimensions						transmission		contact pressure		locking screws Din912-12.9		
						axial force	torque	shaft	hub	qty	size	tightening
Φd	ΦD	L1	L2	L3	L	Ft	Mt	P	P1			Ts
mm	mm	mm	mm	mm	mm	KN	Nm	N/mm2	N/mm2	Nm		
19	47	26	31	39	45	32	307	193	78	4	m6x25	17
20	47	26	31	39	45	32	323	183	78	4	m6x25	17
22	47	26	31	39	45	32	355	166	78	4	m6x25	17
24	50	26	31	39	45	48	582	229	110	6	m6x25	17
25	50	26	31	39	45	48	606	220	110	6	m6x25	17
28	55	26	31	39	45	48	679	196	100	6	m6x25	17
30	55	26	31	39	45	48	727	183	100	6	m6x25	17
32	60	26	31	39	45	65	1033	229	122	8	m6x25	17
35	60	26	31	39	45	65	1130	209	122	8	m6x25	17
38	65	26	31	39	45	65	1227	193	113	8	m6x25	17
40	65	26	31	39	45	65	1292	183	113	8	m6x25	17
42	75	30	36	47	55	87	1835	204	115	6	m8x30	41
45	75	30	36	47	55	87	1966	191	115	6	m8x30	41
48	80	30	36	47	55	87	2097	179	107	6	m8x30	41
50	80	30	36	47	55	87	2184	172	107	6	m8x30	41
55	85	30	36	47	55	116	3202	208	135	8	m8x30	41
60	90	30	36	47	55	116	3493	191	127	8	m8x30	41
65	95	30	36	47	55	116	3784	176	120	8	m8x30	41
70	110	40	46	57	67	189	6607	199	127	8	m10x35	83
75	115	40	46	62	72	189	7079	186	121	8	m10x35	83
80	120	40	46	62	72	189	7551	174	116	8	m10x35	83
85	125	40	46	62	72	236	10029	205	139	10	m10x35	83
90	130	40	46	62	72	236	10619	193	134	10	m10x35	83
95	135	40	46	62	72	236	11209	183	129	10	m10x35	83
100	145	46	52	77	89	275	13738	176	121	8	m12x45	145
110	155	46	52	77	89	275	15111	160	114	8	m12x45	145
120	165	46	52	77	89	343	20606	183	133	10	m12x45	145
130	180	46	52	77	89	412	26788	203	147	12	m12x45	145
140	190	51	59	84	98	373	26142	154	114	8	m14x45	230
150	200	51	59	84	98	467	35016	180	135	10	m14x45	230
160	210	51	59	84	98	467	37351	169	129	10	m14x45	230
170	225	51	59	84	98	560	47617	191	144	12	m14x45	230
180	235	51	59	84	98	560	50418	180	138	12	m14x45	230

SIZE:HKC-71

the size to fix(recommend):

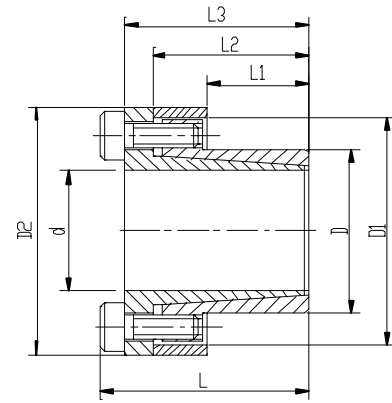
shaft: h8

hub: H8



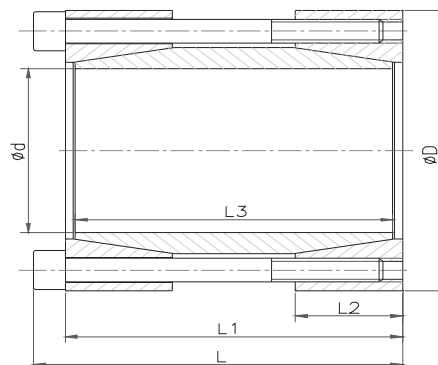
dimensions							transmission		contact pressure		locking screws Din912-12.9		
							axial force	torque	shaft	hub	qty	size	tightening
d	D	D1	L1	L2	L3	L	Ft	Mt	P	P1			
mm	mm	mm	mm	mm	mm	mm	KN	Nm	N/mm2	N/mm2		Nm	
19	47	53	26	31	39	45	20	188	118	48	4	m6x20	17
20	47	53	26	31	39	45	20	198	112	48	4	m6x20	17
22	47	53	26	31	39	45	20	217	102	48	4	m6x20	17
24	50	56	26	31	39	45	30	356	140	67	6	m6x20	17
25	50	56	26	31	39	45	30	371	135	67	6	m6x20	17
28	55	61	26	31	39	45	30	416	120	61	6	m6x20	17
30	55	61	26	31	39	45	30	446	112	61	6	m6x20	17
32	60	66	26	31	39	45	40	634	140	75	8	m6x20	17
35	60	66	26	31	39	45	40	694	128	75	8	m6x20	17
38	65	71	26	31	39	45	40	753	118	69	8	m6x20	17
40	65	71	26	31	39	45	40	793	112	69	8	m6x20	17
42	75	81	30	36	47	55	54	1125	125	70	6	m8x30	41
45	75	81	30	36	47	55	54	1205	117	70	6	m8x30	41
48	80	86	30	36	47	55	54	1286	110	66	6	m8x30	41
50	80	86	30	36	47	55	54	1339	105	66	6	m8x30	41
55	85	91	30	36	47	55	71	1963	128	83	8	m8x30	41
60	90	96	30	36	47	55	71	2142	117	78	8	m8x30	41
65	95	101	30	36	47	55	71	2320	108	74	8	m8x30	41
70	110	116	40	46	57	67	116	4048	122	78	8	m10x35	83
75	115	121	40	46	62	72	116	4338	114	74	8	m10x35	83
80	120	126	40	46	62	72	116	4627	107	71	8	m10x35	83
85	125	131	40	46	62	72	145	6146	125	85	10	m10x35	83
90	130	136	40	46	62	72	145	6508	118	82	10	m10x35	83
95	135	141	40	46	62	72	145	6869	112	79	10	m10x35	83
100	145	151	46	52	77	89	168	8419	108	74	8	m12x45	145
110	155	161	46	52	77	89	168	9260	98	70	8	m12x45	145
120	165	171	46	52	77	89	210	12630	112	82	10	m12x45	145
130	180	186	46	52	77	89	253	16420	125	90	12	m12x45	145
140	190	196	51	59	84	98	229	16020	95	70	8	m14x45	230
150	200	206	51	59	84	98	286	21457	110	83	10	m14x45	230
160	210	216	51	59	84	98	286	22887	103	79	10	m14x45	230
170	225	231	51	59	84	98	343	29183	117	88	12	m14x45	230
180	235	241	51	59	84	98	343	30900	110	84	12	m14x45	230

SIZE:HKC-80
 the size to fix
 (recommend):
 shaft: h8
 hub: H8



dimensions								transmission		contact pressure		locking screws Din912-12.9		
								axial force	torque	shaft	hub	qty	size	tightening
Φd	ΦD	L1	L2	L3	L	D2	D1	Ft	Mt	P	P1			Ts
mm	mm	mm	mm	mm	mm	mm	mm	KN	Nm	N/mm2	N/mm2	Nm		
8	15	12	21	24	28	32	28	10	30	190.0	105.0	4	m4x10	5.2
9	16	14	23	27	31	32	28	10	32	150.0	92.0	4	m4x12	5.2
10	16	14	23	27	31	32	28	10	40	140.0	90.0	4	m4x12	5.2
11	18	14	23	27	31	34	30	10	50	174.8	106.8	4	m4x12	5.2
12	18	14	23	27	31	34	30	10	55	160.8	106.8	4	m4x12	5.2
14	23	14	23	27	31	39	35	10	64	137.4	83.6	4	m4x12	5.2
15	24	16	29	36	42	45	40	16	99	161.8	101.2	3	m6x18	17.0
16	24	16	29	36	42	45	40	16	105	151.7	101.2	3	m6x18	17.0
18	26	18	31	38	44	47	42	21	158	159.8	110.7	4	m6x18	17.0
19	27	18	31	38	44	48	43	21	167	151.4	106.6	4	m6x18	17.0
20	28	18	31	38	44	49	44	21	176	143.9	102.8	4	m6x18	17.0
22	32	25	38	45	51	54	48	21	232	112.8	77.6	4	m6x18	17.0
24	34	25	38	45	51	56	50	21	253	103.4	73.0	4	m6x18	17.0
25	34	25	38	45	51	56	50	21	263	99.3	73.0	4	m6x18	17.0
28	39	25	38	45	51	61	55	27	368	110.8	79.6	5	m6x18	17.0
30	41	25	38	45	51	63	57	32	474	124.1	90.8	6	m6x18	17.0
32	43	30	43	50	56	65	59	32	505	97.0	72.2	6	m6x18	17.0
35	47	30	43	50	56	69	63	43	737	118.9	88.0	8	m6x18	17.0
38	50	30	43	50	56	72	66	43	800	108.9	82.8	8	m6x18	17.0
40	53	32	45	52	58	75	69	48	947	109.1	82.3	9	m6x18	17.0
42	55	32	45	52	58	77	71	48	994	103.9	79.3	9	m6x18	17.0
45	59	40	56	64	72	85	79	79	1750	127.4	97.2	8	m8x22	42.0
48	62	40	56	64	72	88	82	79	1867	119.5	92.5	8	m8x22	42.0
50	65	50	66	74	82	92	85	99	2431	114.7	98.2	10	m8x22	42.0
55	71	50	66	74	82	98	91	99	2674	104.3	80.8	10	m8x22	42.0
60	77	50	66	74	82	104	97	99	2917	95.6	74.5	10	m8x22	42.0
65	84	50	66	74	82	111	104	99	3160	88.2	68.8	10	m8x22	42.0
70	90	60	80	91	101	122	115	127	4322	86.7	67.4	8	m10x25	84.0
75	95	60	80	91	101	126	119	142	6171	93.0	74.0	9	m10x25	84.0
80	100	65	85	96	106	131	124	190	7899	97.0	77.0	12	m10x25	84.0
85	106	65	85	96	106	137	130	190	8393	91.0	73.0	12	m10x25	84.0
90	112	65	85	96	106	143	136	222	10367	100.0	51.0	14	m10x25	84.0
95	120	65	85	96	106	153	144	222	10943	95.0	75.0	14	m10x25	84.0
100	125	65	89	102	114	162	153	273	14520	114.0	91.0	12	m12x30	145.0
110	140	70	94	107	119	177	168	273	15972	96.0	75.0	12	m12x30	145.0
120	155	90	114	127	139	195	185	364	23232	91.0	71.0	16	m12x30	145.0
130	165	90	114	127	139	205	195	364	25168	84.0	66.0	16	m12x30	145.0
140	175	90	114	127	139	215	205	364	27104	78.0	63.0	16	m12x30	145.0
150	185	90	114	127	139	225	215	364	29041	73.0	59.0	16	m12x30	145.0

SIZE:HKC-95
the size to fix(recommend):
shaft: h8



dimensions						transmission		contact pressure	locking screws Din912-12.9		
						torque	axial force	shaft	qty	size	tightening
d	D	L	L1	L2	L3	Mt	Ft				N/mm2
mm	mm	mm	mm	mm	mm	Nm	KN				
15	45	56	50	16.0	44	158	20	188	4	m6x45	17
16	50	56	50	16.0	44	160	20	176	4	m6x45	17
17	50	56	50	16.0	44	166	20	166	4	m6x45	17
18	50	56	50	16.0	44	176	20	157	4	m6x45	17
19	50	56	50	16.0	44	186	20	149	4	m6x45	17
20	50	56	50	16.0	44	195	20	141	4	m6x45	17
24	55	66	60	18.5	54	351	29	144	6	m6x55	17
25	55	66	60	18.5	54	366	29	138	6	m6x55	17
28	60	66	60	18.5	54	410	29	123	6	m6x55	17
30	60	66	60	18.5	54	439	29	115	6	m6x55	17
32	63	66	60	18.5	54	468	29	108	6	m6x55	17
35	75	83	75	22.0	67	633	36	98	4	m8x70	42
38	75	83	75	22.0	67	687	36	90	4	m8x70	42
40	75	83	75	22.0	67	724	36	86	4	m8x70	42
42	78	83	75	22.0	67	760	36	82	4	m8x70	42
45	85	93	85	24.5	76	1220	54	101	6	m8x80	42
48	90	93	85	24.5	76	1301	54	95	6	m8x80	42
50	90	93	85	24.5	76	1355	54	91	6	m8x80	42
55	94	93	85	24.5	76	1987	72	110	8	m8x80	42
60	100	93	85	24.5	76	2168	72	101	8	m8x80	42
65	105	93	85	24.5	76	2348	72	93	8	m8x80	42
70	115	110	100	29.0	90	4041	115	116	8	m10x95	84